

2nd Generation Ceiling&Floor series

Concealed Type
H3 Series



Exposed Type
(air return from bottom)
H2 Series



Exposed Type
(air return from side)
H1 Series



Note : The footing need to purchase separately

High Efficiency and Low Sound Operation

- Due to the AC brushless fan motor, the unit operates in high efficiency and low sound level.

Flexible Installation

- Cabinet and concealed versions meet various installation requirements.
- Horizontal or vertical installation.



Feature

- Ultra-thin, the thickness is only 200mm.

2- Pipe 2nd Generation Ceiling&Floor

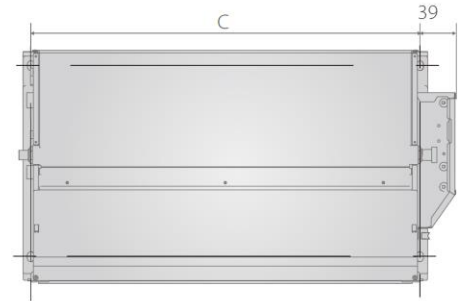
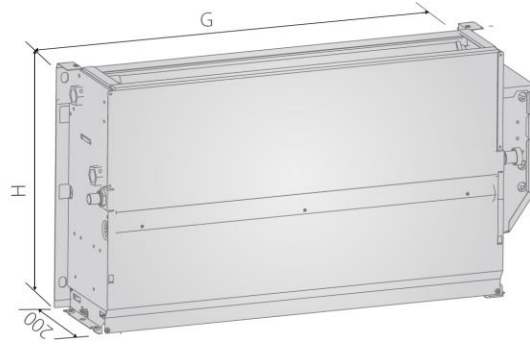
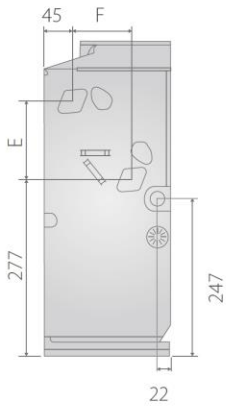
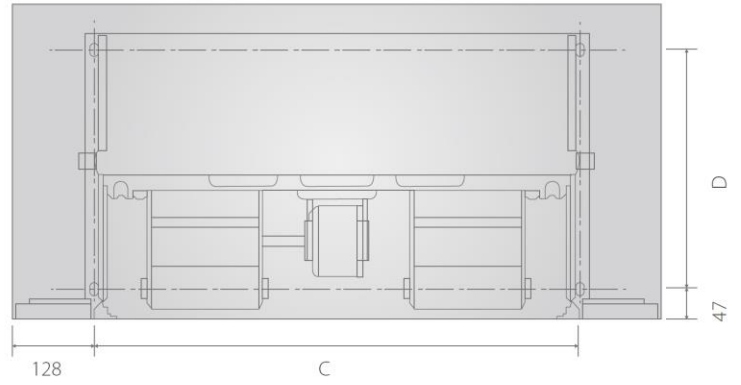
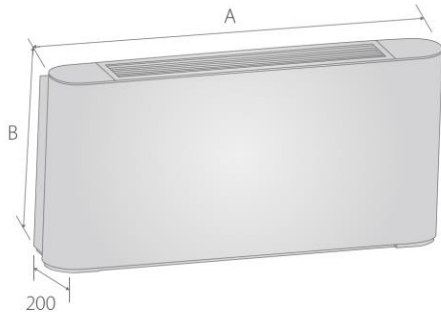
| Model | | MKH2-150-R3 | MKH2-150-R4 | MKH2-250-R3 | MKH2-250-R4 | MKH2-350-R3 | MKH2-350-R4 | |
|---------------------------|-----------------------------|------------------------------------|-----------------|-------------------|------------------|------------------|-------------------|-------------------|
| Power supply | | V/Ph/Hz | 220-240/1/50 | | | | | |
| Air flow (H/M/L) | | m ³ /h | 255/165/142 | 255/192/139 | 400/273/180 | 425/284/184 | 595/447/319 | 595/450/319 |
| | | CFM | 150/97/84 | 150/113/82 | 235/161/106 | 250/167/109 | 350/263/188 | 350/265/188 |
| External static pressure | | Pa | 0 | | | | | |
| Cooling | Total Capacity (H/M/L) | kW | 1.65/1.22/1.09 | 2.25/1.85/1.40 | 2.65/2.02/1.40 | 3.05/2.26/1.58 | 3.85/3.19/2.46 | 4.20/3.38/2.48 |
| | Water flow rate (H/M/L) | L/h | 283/209/186 | 386/317/241 | 454/346/240 | 523/387/272 | 660/546/422 | 720/580/425 |
| | Water pressure drop (H/M/L) | kPa | 15.75/9.33/7.37 | 33.19/22.37/14.64 | 18.03/11.18/5.48 | 26.71/15.66/8.42 | 38.23/27.11/16.96 | 41.15/27.07/15.71 |
| Heating | Capacity (H/M/L) | kW | 1.85/1.29/1.13 | 2.35/1.87/1.42 | 3.05/2.24/1.52 | 3.15/2.28/1.60 | 4.10/3.30/2.48 | 4.30/3.43/2.52 |
| | Water flow rate (H/M/L) | L/h | 317/222/194 | 403/320/244 | 523/384/260 | 540/392/275 | 705/568/427 | 740/590/433 |
| | Water pressure drop (H/M/L) | kPa | 15.13/8.22/6.64 | 33.19/22.37/14.64 | 17.56/10.28/5.43 | 23.31/12.57/6.11 | 35.52/24.83/14.91 | 37.20/24.50/13.75 |
| Power input (H/M/L) | | W | 35/17/14 | 40/24/15 | 47/26/14 | 47/26/14 | 51/32/19 | 51/32/19 |
| Sound power level (H/M/L) | | dB(A) | 47/35/34 | 53/47/39 | 46/37/31 | 47/38/32 | 52/44/36 | 52/45/37 |
| Fan motor | Type | AC fan motor | | | | | | |
| | Quantity | 1 | 1 | 1 | 1 | 1 | 1 | |
| Fan | Type | Centrifugal, forward-curved Blades | | | | | | |
| | Quantity | 1 | 1 | 2 | 2 | 2 | 2 | |
| Coil | Row | 3 | 4 | 3 | 4 | 3 | 4 | |
| | Max. working pressure | MPa | 1.6 | 1.6 | 1.6 | 1.6 | 1.6 | 1.6 |
| | Diameter | mm | Ø7.94 | Ø7.94 | Ø7.94 | Ø7.94 | Ø7.94 | Ø7.94 |
| Body | Net dimensions (WxHxD) | mm | 790x495x200 | 790x495x200 | 1020x495x200 | 1020x495x200 | 1240x495x200 | 1240x495x200 |
| | Packing size (WxHxD) | mm | 895x595x300 | 895x595x300 | 1125x595x300 | 1125x595x300 | 1345x595x300 | 1345x595x300 |
| | Net weight | kg | 16.3 | 16.7 | 20.0 | 20.8 | 24.0 | 25.4 |
| | Gross weight | kg | 21.8 | 22.7 | 26.8 | 26.8 | 31.0 | 32.4 |
| Water inlet/outlet pipe | | inch | G3/4 | G3/4 | G3/4 | G3/4 | G3/4 | G3/4 |
| Drain pipe | | mm | ODØ18.5 | ODØ18.5 | ODØ18.5 | ODØ18.5 | ODØ18.5 | ODØ18.5 |

| Model | | MKH2-500-R3 | MKH2-500-R4 | MKH2-700-R3 | MKH2-700-R4 | MKH2-800-R3 | MKH2-800-R4 | |
|---------------------------|-----------------------------|------------------------------------|-------------------|-------------------|-------------------|-------------------|-------------------|-------------------|
| Power supply | | V/Ph/Hz | 220-240/1/50 | | | | | |
| Air flow (H/M/L) | | m ³ /h | 790/560/392 | 800/574/404 | 1190/855/555 | 1150/885/591 | 1300/1088/782 | 1300/1132/836 |
| | | CFM | 465/330/231 | 471/338/238 | 700/503/327 | 677/521/348 | 766/641/461 | 766/667/492 |
| External static pressure | | Pa | 0 | | | | | |
| Cooling | Total Capacity (H/M/L) | kW | 4.65/3.80/2.92 | 5.35/4.25/3.31 | 6.00/5.03/3.71 | 6.75/5.80/4.24 | 7.35/6.51/5.15 | 8.25/7.52/5.87 |
| | Water flow rate (H/M/L) | L/h | 797/652/500 | 917/729/567 | 1029/862/636 | 1157/995/727 | 1260/1116/884 | 1414/1289/1007 |
| | Water pressure drop (H/M/L) | kPa | 56.85/40.02/25.31 | 61.48/41.44/26.62 | 53.79/36.96/21.16 | 40.26/29.20/16.15 | 45.43/37.06/23.29 | 64.72/55.03/34.88 |
| Heating | Capacity (H/M/L) | kW | 5.20/3.95/3.00 | 5.70/4.36/3.31 | 6.15/5.10/3.80 | 7.15/5.81/4.30 | 8.20/7.09/5.46 | 8.50/7.60/5.90 |
| | Water flow rate (H/M/L) | L/h | 894/679/516 | 977/747/569 | 1054/877/654 | 1226/996/740 | 1406/1216/937 | 1457/1302/1015 |
| | Water pressure drop (H/M/L) | kPa | 56.68/37.31/23.25 | 60.89/37.73/21.79 | 57.85/38.53/21.1 | 42.16/28.68/14.66 | 44.60/34.09/19.98 | 61.96/47.46/28.84 |
| Power input (H/M/L) | | W | 91/54/34 | 91/54/35 | 123/98/68 | 110/89/64 | 123/109/83 | 118/104/82 |
| Sound power level (H/M/L) | | dB(A) | 59/51/43 | 59/51/43 | 64/56/45 | 62/56/46 | 63/58/50 | 63/58/50 |
| Fan motor | Type | AC fan motor | | | | | | |
| | Quantity | 1 | 1 | 1 | 1 | 1 | 1 | |
| Fan | Type | Centrifugal, forward-curved Blades | | | | | | |
| | Quantity | 2 | 2 | 3 | 3 | 3 | 3 | |
| Coil | Row | 3 | 4 | 3 | 4 | 3 | 4 | |
| | Max. working pressure | MPa | 1.6 | 1.6 | 1.6 | 1.6 | 1.6 | 1.6 |
| | Diameter | mm | Ø7.94 | Ø7.94 | Ø7.94 | Ø7.94 | Ø7.94 | Ø7.94 |
| Body | Net dimensions (WxHxD) | mm | 1240x495x200 | 1240x495x200 | 1360x495x200 | 1360x495x200 | 1360x591x200 | 1360x591x200 |
| | Packing size (WxHxD) | mm | 1345x595x300 | 1345x595x300 | 1465x595x300 | 1465x595x300 | 1465x695x300 | 1465x695x300 |
| | Net weight | kg | 25.5 | 26.3 | 27.3 | 28.5 | 31.7 | 34.0 |
| | Gross weight | kg | 32.0 | 33.4 | 34.8 | 36.0 | 40.2 | 42.0 |
| Water inlet/outlet pipe | | inch | G3/4 | G3/4 | G3/4 | G3/4 | G3/4 | G3/4 |
| Drain pipe | | mm | ODØ18.5 | ODØ18.5 | ODØ18.5 | ODØ18.5 | ODØ18.5 | ODØ18.5 |

Notes:



1. H: High fan speed; M: Medium fan speed; L: Low fan speed.
2. Cooling conditions: Entering water 7°C, leaving water 12°C, Entering air temperature 27°C DB/19°C WB.
Heating conditions: Entering water 45°C, leaving water 40°C, Entering air temperature 20°C DB/15°C WB.
3. Noise is tested in a reverberation chamber.

Dimensions (unit: mm)



| Model | 150 | 250 | 300 | 500 | 700 | 800 |
|-------|-----|------|------|------|------|------|
| A(mm) | 790 | 1020 | 1240 | 1240 | 1360 | 1360 |
| B(mm) | 495 | 495 | 495 | 495 | 495 | 591 |
| C(mm) | 534 | 764 | 984 | 984 | 1104 | 1104 |
| D(mm) | 375 | 375 | 375 | 375 | 375 | 319 |
| E(mm) | 123 | 123 | 123 | 123 | 123 | 219 |
| F(mm) | 93 | 93 | 93 | 93 | 93 | 102 |
| G(mm) | 628 | 858 | 1078 | 1078 | 1198 | 1198 |
| H(mm) | 455 | 455 | 455 | 455 | 455 | 551 |

Wired Controllers

| Model | Appearance | Function Descriptions | Applicable FCUs |
|-------------|---|--|---|
| KJRP-86A1-E |  | <ul style="list-style-type: none">● LCD display screen● Mode control● Fan speeds control● Timer setting / Temp. setting | AC Ceiling& Floor and Duct without electric heater (optional) |
| KJR-18B/E |  | <ul style="list-style-type: none">● Mechanical thermostat● Mode control● Fan speeds control● Temp. setting | AC Ceiling& Floor and Duct without electric heater (optional) |