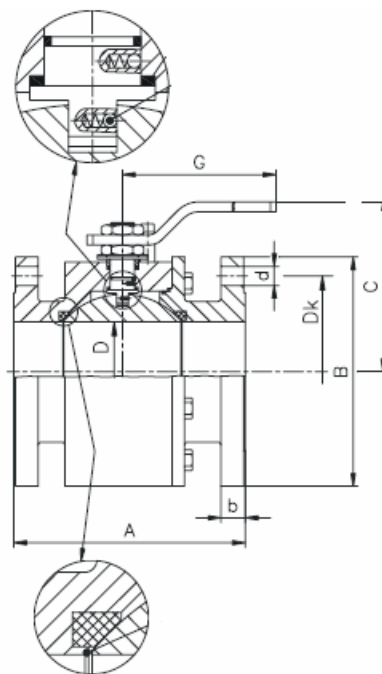


KUGLASTA SLAVINA ZA VODU tip KPF...DP

PRIRUBNIČKA DN25 – 200

ANSI Razred 150 – Razred 300



Ugradna dužina ANSI B16.10

API 6D

Prirubnice: ANSI B16.5 Razred 150

Razred 300

| DN | | D | C | G | ANSI razred 150 (PN20) | | | | | | ANSI razred 300 (PN50) | | | | | |
|--------|--------|-----|-----|------|------------------------|-----|------|-------|----|-----|------------------------|-----|------|-------|----|-----|
| mm | inch | | | | A | B | b | Dk | d | Nr. | A | B | b | Dk | d | Nr. |
| KPF-25 | 1" | 25 | 90 | 180 | 127 | 110 | 14,5 | 79,5 | 16 | 4 | 165 | 125 | 17,5 | 89,0 | 20 | 4 |
| KPF-25 | 1 1/2" | 40 | 120 | 360 | 165 | 130 | 17,5 | 98,5 | 16 | 4 | 191 | 155 | 21,0 | 114,5 | 22 | 4 |
| KPF-25 | 2" | 50 | 130 | 360 | 178 | 150 | 19,5 | 120,5 | 20 | 4 | 216 | 165 | 22,5 | 127,0 | 20 | 8 |
| KPF-25 | 3" | 78 | 150 | 460 | 203 | 190 | 24,0 | 152,5 | 20 | 4 | 283 | 210 | 29,0 | 168,5 | 22 | 8 |
| KPF-25 | 4" | 99 | 165 | 460 | 229 | 230 | 24,0 | 190,5 | 20 | 8 | 305 | 255 | 32,0 | 200,0 | 22 | 8 |
| KPF-25 | 6" | 149 | 270 | 1000 | 394 | 280 | 25,5 | 241,5 | 22 | 8 | 403 | 320 | 37,0 | 270,0 | 22 | 12 |
| KPF-25 | 8" | 200 | 350 | RR | 457 | 345 | 29,0 | 298,5 | 22 | 8 | 502 | 380 | 41,5 | 330,0 | 26 | 12 |

| NAZIV DELOVA | MATERIJAL |
|--------------|--|
| KUČIŠTE | C 22.8 |
| KUGLA | X5 CrNi 18.9 |
| ZAPTIVAČ | PTFE |
| VRETENO | X 20 Cr 13 |
| O-RING | FPM. Graphite - 100°C FPM.PTFE - 200°C |
| RUČICA | ST 37 |