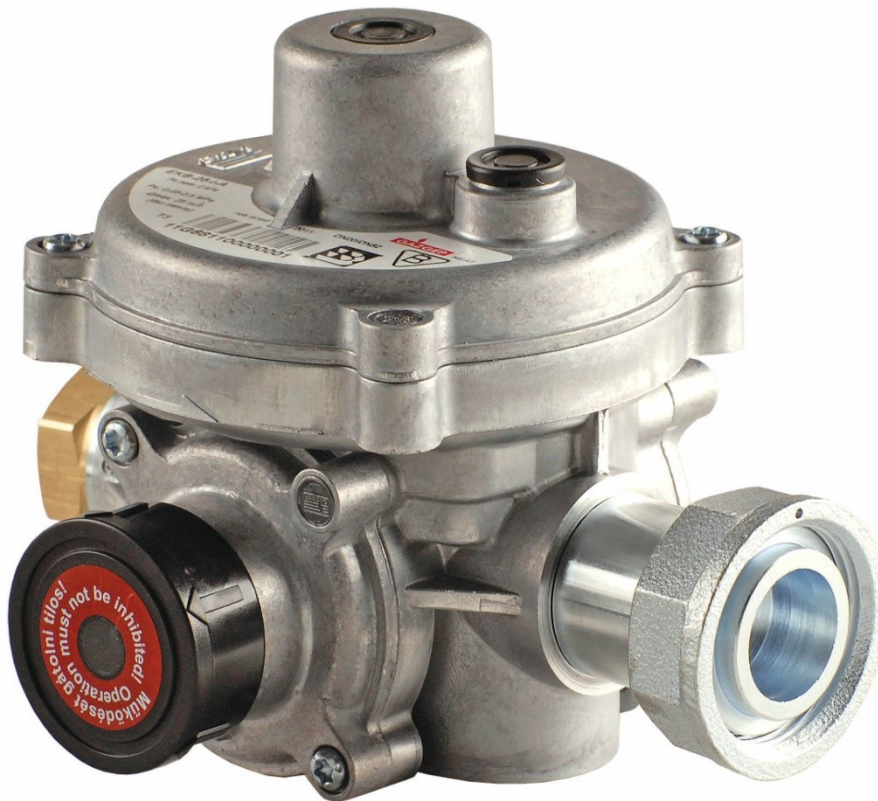


**Regulator pritiska gasa  
Gas pressure regulator  
EKB 10/25  
TYP EURO KOMBIBLOCK**



**The Experts in Energy Supply**

## EURO KOMBIBLOCK 10/25

### Dvostepeni regulator pritiska gasa Opseg upotrebe

Funkcija dvostepenog EURO KOMBIBLOCK EKB regulatora pritiska gasa je redukcija ulaznog pritiska na predhodno zadati konstantni nivo izlaznog pritiska, bez obzira na nivo ulaznog pritiska (0,1-10,0 bar) i količinu protoka. Upotrebljava se za isporuku gasa kućama, kancelarijama, javnim zgradama i industrijskim postrojenjima. EKB, sa visokom tačnošću regulacije (AC 5, SG 20) i raznovrsnim izvedbama priključaka nudi širok opseg višestranih kombinacija.

Standardno, ovaj dvostepeni regulator pritiska gasa je opremljen sa sigurnosno zapornim ventilom. Dostupne su izvedbe sa priključcima sa prirubnicom, unutrašnjom ili vanjskom navojnicom, u ravnoj ili ugaonoj izvedbi, visokotemperaturnom otpornošću (prekid protoka kod visoke temperature) ili prekidom protoka kod nedostatka gasa, sigurnosno odušnim ventilom kao i ograničenjem protoka. Ovaj regulator pritiska gasa je konstruisan prema PED 97/23EC.

### Two stage gas pressure regulator Range of application

The function of the two stage EURO KOMBIBLOCK EKB type gas pressure regulator is to reduce the outlet pressure to a previously given, constant level, irrespective of the level of inlet pressure (0,1-10,0 bar) and the flow rate. It is applied to supply gas for houses, offices, social buildings and industrial establishments. The EKB with a high-level accuracy in regulation (AC 5, SG 20) and variety in all-mains connection offers a wide range of many-sided combination.

As standard, the two stage gas pressure regulator are fitted with a safety shut-off valve. A range of connectors and designs with or without flanges internal or external threaded, inline or corner version, thermal gas cut-off (HTB) safety membrane or pressure cut-off for supply interruption protection, safety blow-off valve and flow rate limitation devices are available.

The gas pressure regulator is designed according to PED 97/23EC.

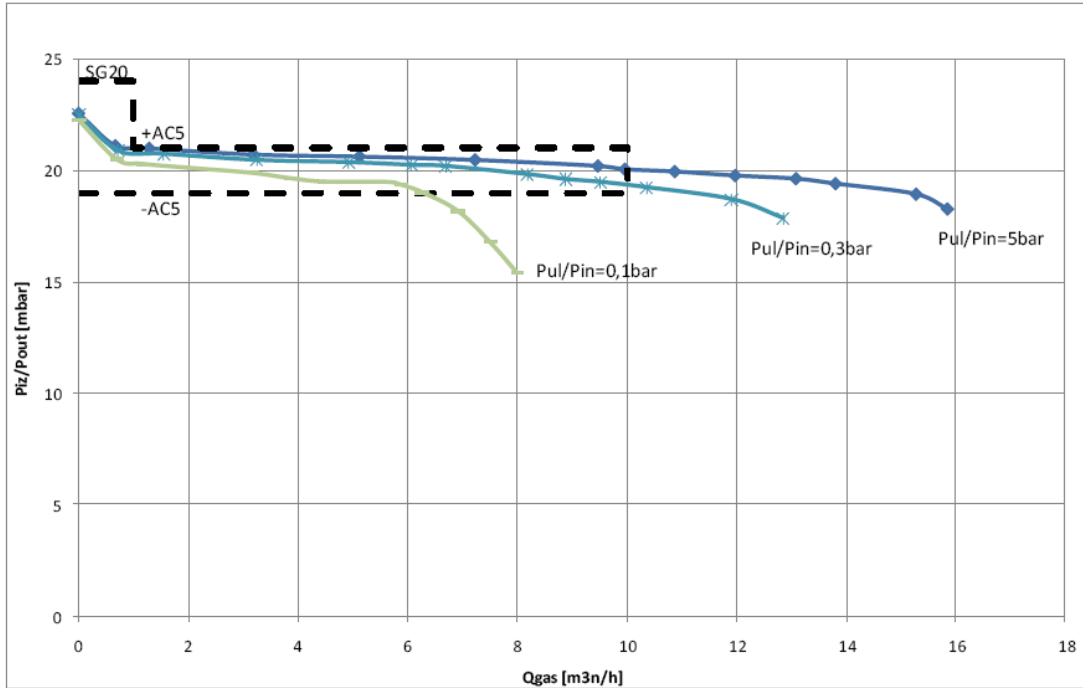
### Tehnicki Podatci Technical data

<b>Dozvoljeni ulazni pritisak:</b> <b>Pern.inlet pressure:</b>	0,1 ÷ 10,0 bar
<b>Nominalni prečnik:</b> <b>Nominal dimension:</b>	DN 25
<b>Opseg izlaznog pritiska:</b> <b>Outlet pressure range:</b>	pas 13 ÷ 100mbar
<b>Opseg setovanja sigurnosno zapornog ventila:</b> <b>Set range of safety shut-off valve:</b>	
<b>pso</b>	30 ÷ 160 mbar
<b>psu</b>	6 ÷ 75 mbar
<b>Regulaciona klasa:</b> <b>Regulatory class:</b>	AC 5/10
<b>Klasa pritiska zatvaranja:</b> <b>Lock-up pressure class:</b>	SG 20
<b>Tačnost:</b> <b>Accuracy:</b>	pso/psu AGo 10/AGu30
<b>Protok:</b> <b>Flow rate:</b>	lásd diagram see diagram
<b>Temperaturni opseg:</b> <b>Range of temperature:</b>	-30 ÷ / + 60 °C
<b>Pozicija montaze:</b> <b>Position of installation:</b>	tetszőleges discretionary
<b>Aktivacija visokotemperaturne otpornosti:</b> <b>Thermic release cc.:</b>	105 °C
<b>Priključci:</b>	prirubnica, unutrašnji navoj, vanjski navoj
<b>Connection:</b>	flange, internal threaded, external threaded

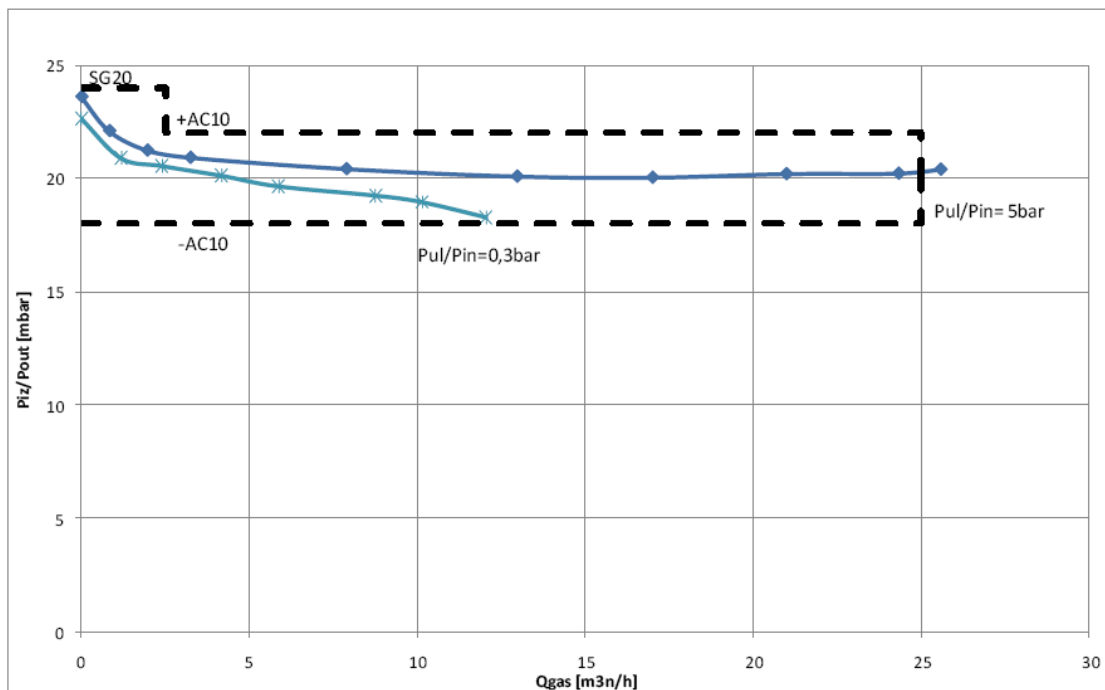
Dijagram protoka

Flow diagram

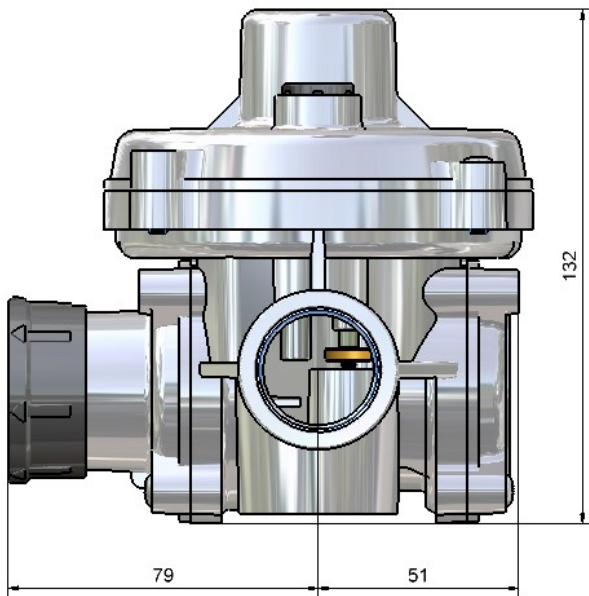
EKB 10



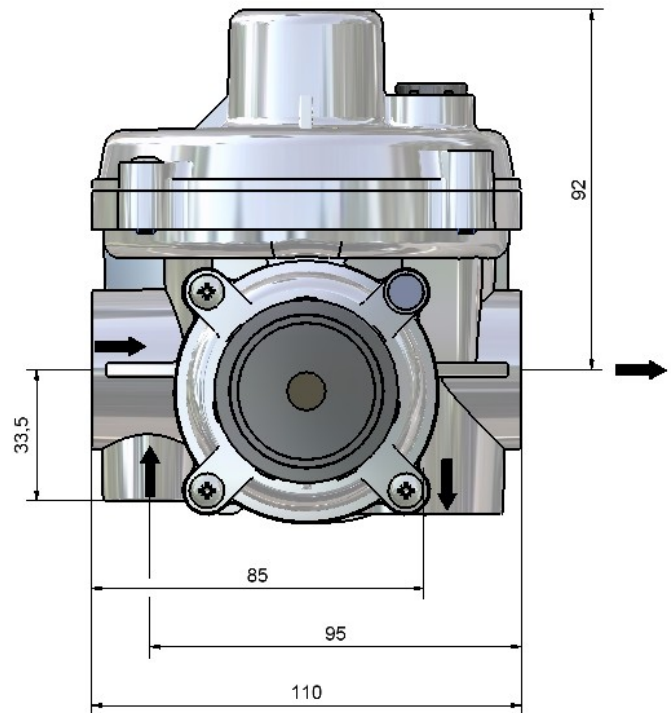
EKB 25



## Dimenzije u mm



## Dimensions in mm



## Materijali

<b>Regulator, SBV, korpus:</b>	pritiskom liveni aluminijum
<b>Poklopac membrane:</b>	pritiskom liveni aluminijum
<b>Priključci ulaz/izlaz:</b>	pocinčani čelik
<b>Unutarnji dijelovi:</b>	čelik, mesing, plastika
<b>Membrana:</b>	Perbunan (guma otporna na pentan)
<b>O-prstenovi:</b>	NBR, FPM

## Materials

<b>Regulator, SBV, body:</b>	Die-casting aluminium
<b>Membran covers:</b>	Die-casting aluminium
<b>Connection inlet/outlet:</b>	Zinc plated steel
<b>Internals:</b>	Steel, brass, plastic
<b>Diaphragm:</b>	Perbunan (pentane resistant rubber)
<b>O-Ring:</b>	NBR, FPM